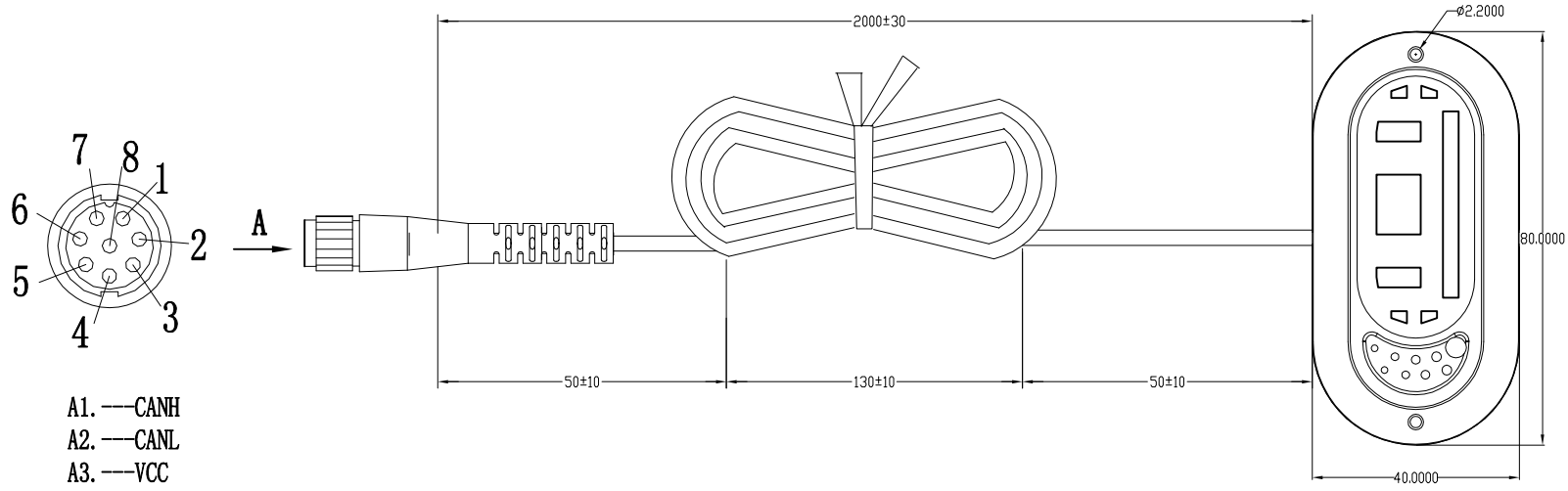
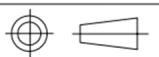


NO.	Date	Version
△		V1.0
△		



- A1. — CANH
- A2. — CANL
- A3. — VCC
- A4. — GND
- A5. — RX
- A6. — TX
- A7. — 5V
- A8. — GND

	Customer: Brigade Electronics	MOIS DSP 00			
		Creator:	Reviewer: Qing Zhou		
					
Auteradar Europe UG					